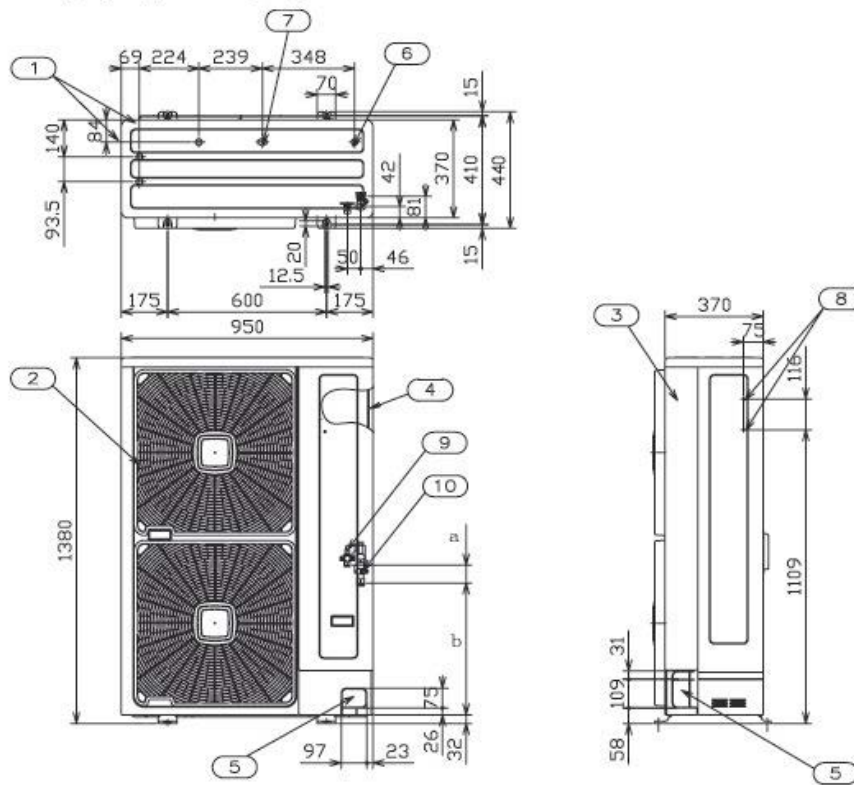


# Hitachi Yutaki RAS 2 -10 WHNPE

## MASSSKIZZEN

RAS 4-10



RAS 2-3

